

# Twin mount 60

Mounting and installation products E-mobility  
NEXT GREEN - TWIN MOUNT 60

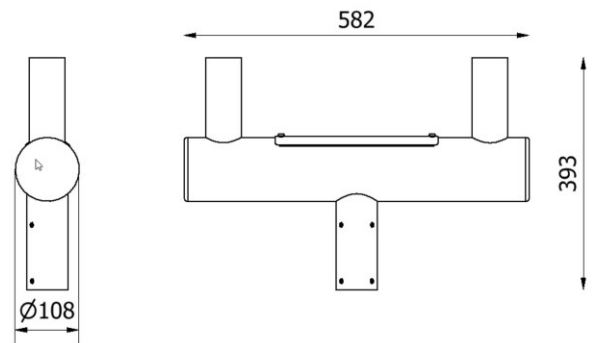
## Model

E No:  
27 007 84

Product name:  
Twin mount 60

## TWIN MOUNT 60 FEATURES

- Robust construction in hot dip galvanized steel
- To be used on a  $\varnothing$  60 mm tube or pole
- Enables mounting of several (2-4) EV-charging boxes on a  $\varnothing$  60 mm tube or pole
- Large service hatch for easier cable routing with Torx Pin screw



## Technical specifications

Material	Galvanized steel – SS-EN ISO 1461
Dimensions	6 kg
Weight	393 mm
Height	582 mm
Width	108 mm
Depth	

Next Green - Twin mount 60 is an adapter mount designed to be mounted on an existing  $\varnothing$  60 mm tube or pole. Twin mount 60 enables the mounting of two  $\varnothing$  60 mm tubes on a  $\varnothing$  60 mm tube or pole. Large laser-cut service hatch with Torx pin screw included.

